

CoolPV is a PV-T panel assembly that consists of a SolarWorld Sunmodule Protect PV module that is OEM retrofitted by FAFCO with a FAFCO thermal collector system.

Module Characteristics (PN: 09749)

Panel Area	18 ft ²
Panel Dimensions (HxWxD)	65.9 x 39.4 x 4.5 in
Weight	62.6 lbs
Roof load	3.5 psf
Fluid Capacity	0.8 gal
Fluid Connection Type	FAFCO Proprietary
Electrical Connection Type	PV wire per UL4703 with H4/UTX connectors

Electrical Characteristics*

285W

Rated Electrical Output (Pmax)	285 Watts
Open Circuit Voltage (Voc)	39.7 V
Rated Voltage (Vmpp)	31.3 V
Short Circuit Current (Isc)	9.84 A
Rated Current (Impp)	9.20 A
Electrical Efficiency	17.0%
Temperature Coefficient - Pmax	-0.43 % / °K
Temperature Coefficient - Voc	-0.31 % / °K
Temperature Coefficient - Isc	0.044 % / °K
System Voltage Max	1000 VDC
Capacity Tolerance	-0% / +5 % Wp
Cells, Number/Type	60 / Monocrystalline
NOCT	48°C

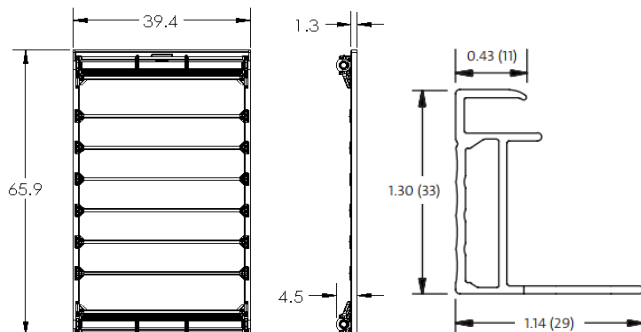
*All performance data calculated at STC (Standard Test Conditions) 25°C, 1000 W / m², 1.5 AM

Thermal Characteristics*

Heat Output	3400 btu / hr (1000 Watts)
Operating Pressure (<100°F)	20 psi
Test Pressure / Burst Pressure Per Collector	50 psi / 220 psi
Recommended Flow Rate	1.5 gpm
Delta T (at y intercept)	3°F
Operating Temperature Range (typical)	60-100°F
Stagnation Temperature	175°F

*All performance data calculated at STC (Standard Test Conditions) 25°C, 1000 W / m², 1.5 AM, Inlet Water of 20°C

Mechanical Characteristics



Maximum Design Loads

Two Rail System	113 psf downward 64 psf upward
Three Rail System	178 psf downward 64 psf upward
<u>Certifications / Compliance / Listings</u>	
Electrical	UL1703
Fire	UL1703 - Class A
Thermal (SRCC-OG100)	Cert #: 10001993
Product (ICC-SRCC)	Listing #: 16006